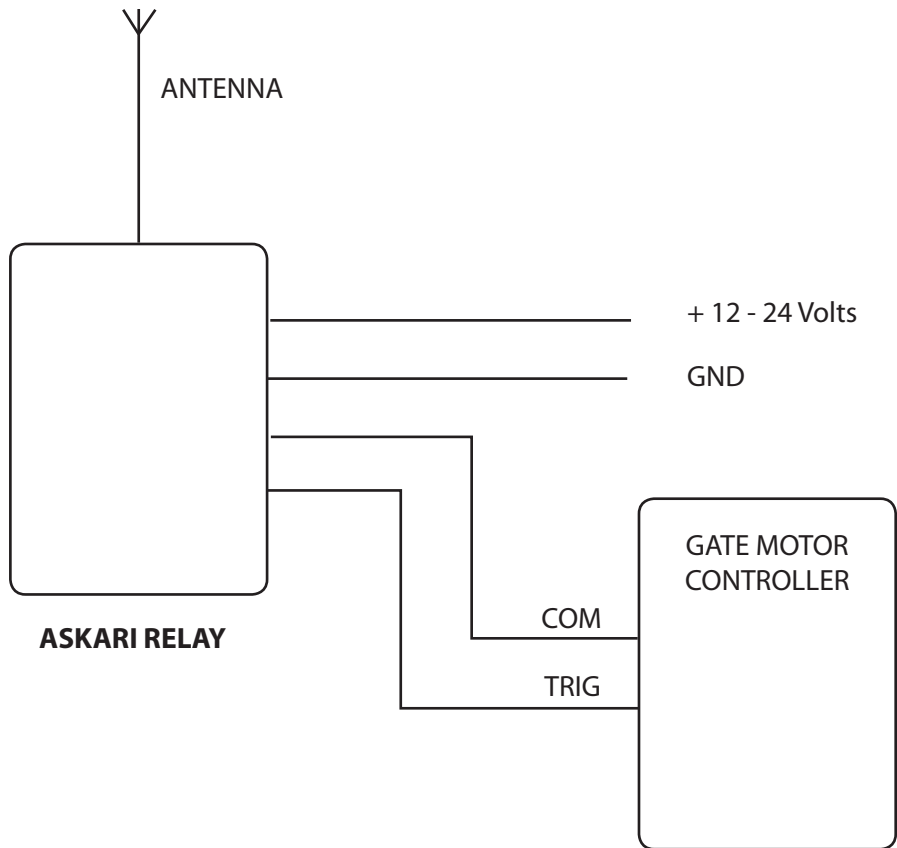


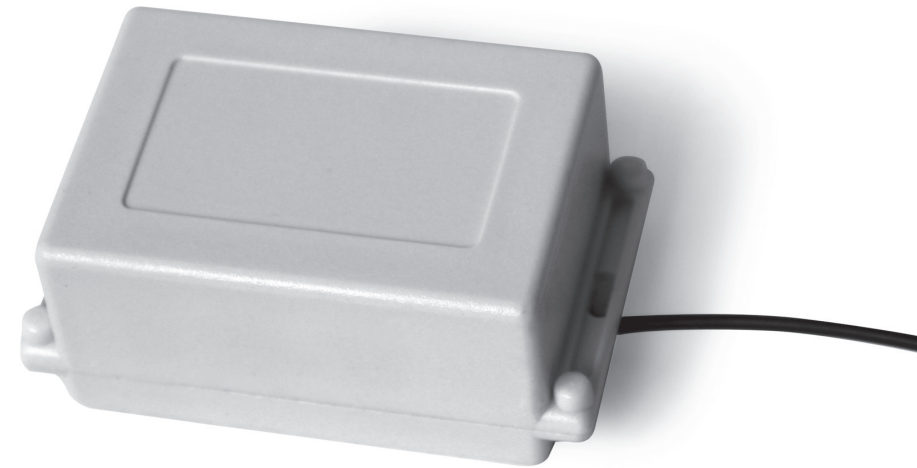
Wiring Diagram



ASKARI

ASKARI

RELAY MANUAL



Specifications

Dimensions: 80mm x 45mm x 34mm

Weight: 62 Grams

Current Consumption: 17mA

Required Power Supply: 12 - 24 Volts D.C.

- The **Askari Relay** can learn 3 codes. (Nano Panic, Nano Push button and a Scout intruder code)
- The **Askari Relay** has one relay with Comm, N/O and N/C contacts taken to terminal blocks

ISO 9000-2000 Approved 



www.askaribeams.co.za

(A) General Operations

The **Askari 7 Relay** can be used to:

Open and close gates

Open and close garage doors

Arm and Disarm your alarm

Switch On lights when a Scout is triggered

Switch on lights from the Nano

Switch on a Panic siren or trigger the panic on your alarm

PROGRAMMING

To program a Scout to the Askari Relay

Power up the **Askari Relay** (It now has 2 minutes to receive programming code)

1. Send the Programming code from the Nano. Enter main menu(1 and 8 then right side button)
Push button 8. The Nano will display LED's 1---4
Push button 2. The Nano will display LED's 1---4
 - Button 1 = 2 minute on time
 - Button 2 = 4 minute on time
 - Button 3 = 6 minute on time
 - Button 4 = 8 minute on time

The **Robo Relay** will click its relay to tell you it is ready to get the **Askari Scout** code now

Enter main menu (1 and 8 then right side button)

Push button 5. The Nano will display LED's all programmed Scouts

Push button of the Scout you want the **Askari Relay** to learn

The **Askari Relay** will click its relay to tell you it has received the code.

To program a Button on the Nano to the Askari Relay

Power up the **Askari Relay** (It now has 2 minutes to receive programming code)

2. Send the Programming code from the Nano. Enter main menu(1 and 8 then right side button)
Push button 8. The Nano will display LED's 1---4
Push button 3. The Nano will display LED's 1---4
 - Button 1 = 2 second pulse (good for Gate Motor Application)
 - Button 2 = 3 minute pulse
 - Button 3 = Latching with the Relay accepting a PANIC code
 - Button 4 = Latching and ignoring the PANIC code

The **Askari Relay** will click its relay to tell you it is ready to get the **Askari Scout** code now

Enter main menu (1 and 8 then right side button)

Push button 8. The Nano will display all LED's

Push button 4.

Push button of the Nano you want the **Askari Relay** to learn

The **Askari Relay** will click its relay to tell you it has received the code.

